

BOAT TOP HARDWARE

- Stainless Steel and Aluminum Tubing
- Square Aluminum Tubing
- Square Aluminum Top Fittings
- Stainless Steel Top Fittings
- Zamak Top Fittings
- Nylon Fittings
- Mooring Poles
- Canvas Top Frames
- Awning Rails and Vinyl Welt



MMORSE[™]
INDUSTRIES

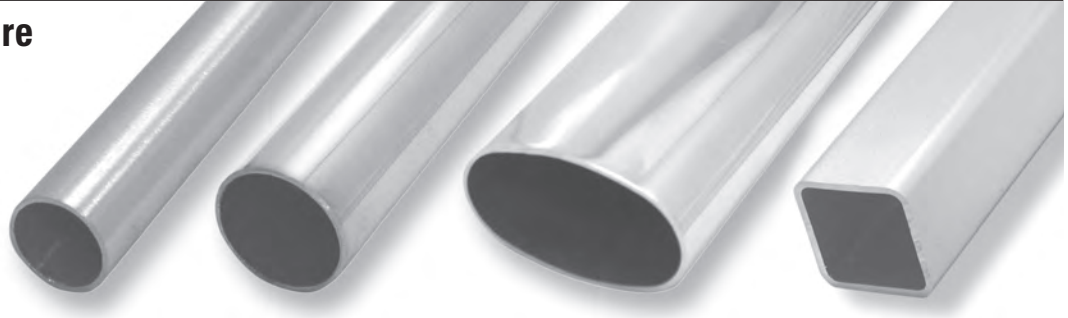
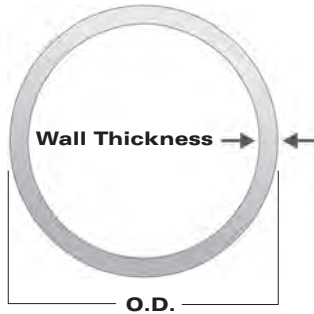
Charlotte • Los Angeles • Seattle

1.800.325.7513

www.morseindustries.com

STAINLESS STEEL & ALUMINUM TUBING

Tubing / Canvas Hardware



Round Stainless Steel Tubing

We maintain an extensive inventory of 304 and 316L ornamental stainless steel tubing (ASTM A554 TIG Weld). Tubing is available in 20' and 24' lengths with heavy-duty packaging materials to ensure the best possible protection in transit. Standard finishes include: as welded (mill finish), 600 grit (polished and buffed) and linear buff (#8 mirror finish). Tubing stock on hand can vary. Call for ship times. *Asterisked items are regular stock items.

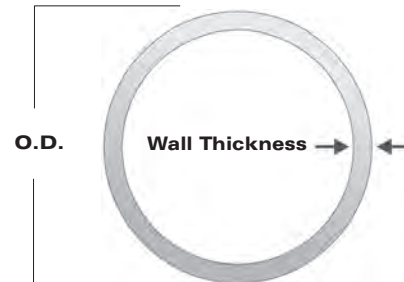
O.D. Size	Wall Thickness							
	.028	.035	.049	.065	.083	.095	.109	.120
1/2"	S14-1228	S14-1235	S14-1249	S14-1265	S14-1283			
5/8"	S14-5828	S14-5835	S14-5849	S14-5865	S14-5883	S14-5895		
3/4"	S14-3428	S14-3435	S14-3449*	S14-3465*	S14-3483	S14-3495	S14-34109	
7/8"	S14-7828	S14-7835*	S14-7849*	S14-7865*	S14-7883	S14-7895	S14-78109	S14-34120
1"	S14-1028	S14-1035	S14-1049*	S14-1065*	S14-1083	S14-1095	S14-10109	S14-10120*
1 1/8"	S14-11828	S14-11835	S14-11849	S14-11865*	S14-11883	S14-11895	S14-118109	S14-118120
1 1/4"	S14-11428	S14-11435	S14-11449	S14-11465*	S14-11483*	S14-11495	S14-114109	S14-114120*

Aluminum Drawn Tubing

Bright dip anodized finish for durability and quality appearance. A23-7858 also available in black 20' lengths. A23-1065 available in anodized satin finish only.

Part Number	O.D.	Wall Thickness	Lengths
A23-3458	3/4"	.058"	20'
A23-7858	7/8"	.058"	16', 20', 24'
A23-7865	7/8"	.065"	20', 24'
*A23-1065	1"	.065	18' 8"
*A23-1098	1"	.098	20'

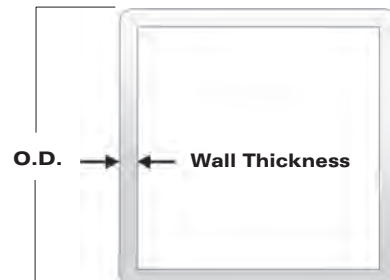
*Special order



Aluminum Square Tubing

Anodized satin finish with radius corners. Square fittings also available.

Part Number	O.D.	Wall Thickness	Lengths
A40-4171	1" x 1"	.062"	20', 24'
A40-4175	1 1/4" x 1 1/4"	.062"	20'



STAINLESS STEEL TOP FITTINGS

Tubing / Canvas Hardware

All Stainless Steel Top Fittings are made of high quality cast 316L highly polished stainless steel. Outside Eye Ends and Jaw Slides with Bolt come with 1/4"-28 stainless steel set screws.

Outside Eye Ends

Part Number	Tube Size
F11-0100	7/8" O.D.
F12-0101	1" O.D.
F11-0204 Heavy Duty	7/8" O.D.
F12-0205 Heavy Duty	1" O.D.
F17-0106 Heavy Duty	1 1/4" O.D.



F11-0100



F12-0101



F11-0204



F12-0205



F17-0106

Inside Eye Ends

Part Number	Tube Size
F11-0174	7/8" O.D.
F11-0175	3/4" O.D.
F1E-0172	7/8" O.D. for .058 aluminum drawn tubing



F11-0174
F1E-0172



F11-0175

Jaw Slides with Bolt

Part Number	Tube Size
F11-0160	7/8" O.D.
F12-0161	1" O.D.
F11-0264 Heavy Duty	7/8" O.D.
F12-0265 Heavy Duty	1" O.D.
F17-0166 Heavy Duty	1 1/4" O.D.



F11-0160



F12-0161



F11-0264



F12-0265



F17-0166

Hinged Jaw Slides

Jaw Slides are hinged at the top with a concealed pin and do not come apart like the traditional Break Apart Jaw Slides. Attaching additional hardware to an existing frame or welded railing has never been easier or more attractive.

Part Number	Tube Size
F11-0264B	7/8" O.D.
F12-0265B	1" O.D.
F17-0266B	1 1/4" O.D.



F11-0264B



F12-0265B



F17-0266B

STAINLESS STEEL TOP FITTINGS

Tubing / Canvas Hardware

All Stainless Steel Top Fittings are made of high quality cast 316L highly polished stainless steel.

Windshield Side Mount with Bolt

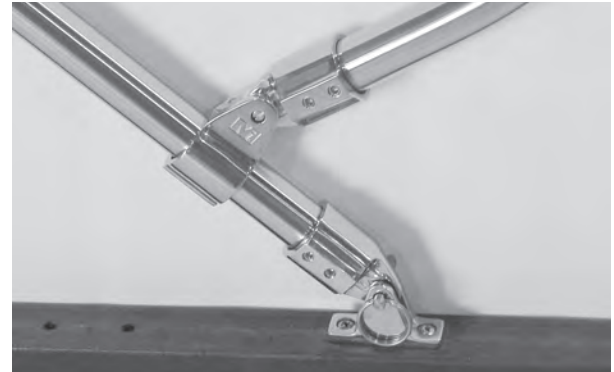
The Windshield Side Mount with Bolt fitting is designed to fit today's radius top windshields. It allows the fabricator to install a convertible or bimini canvas top directly to the windshield instead of down on the deck or inside panel. It can also be rotated a few degrees each way to aid in alignment with the top caps.

Part Number	Radius
F16-0015	.4375
*F16-0016	.500

*Special order



F16-0015



Deck Hinges for #10 Fasteners

Part Number	Type
F13-0235A	Adjustable with bolt
F13-0220	4-hole heavy duty with bolt
F13-0220B	4-hole heavy duty without bolt
F13-0200	Straight with bolt
F13-0210	Straight with removable pin
F13-0210B	Straight without bolt
F13-0211	Straight with F13-0107 pull pin
F13-0212	Straight with F13-0108 spring release toggle pin
F13-0201	Heavy duty with bolt
F13-0230	Angled base with bolt
F13-0230B	Angled base without bolt
F13-0230A	Angled base with F13-0210-RP spring release toggle pin
F13-0202	Heavy duty angled base with bolt
F13-0240	Concave base with bolt
F13-0240A	Concave base with F13-0210-RP spring release toggle pin
F13-0240B	Concave base without bolt



F13-0235A



F13-0220



F13-0220B



F13-0200



F13-0210



F13-0210B



F13-0211



F13-0212



F13-0201



F13-0230



F13-0230B



F13-0230A



F13-0202



F13-0240



F13-0240A



F13-0240B

STAINLESS STEEL TOP FITTINGS

Tubing / Canvas Hardware

Flush Deck Hinge

Part Number	Type
F13-0236B	Quick release for easy use



F13-0236B

360-Degree Swivel Deck Hinge

Part Number	Type
F11-0237	360° Swivel deck hinge base
F11-0106	7/8" eye end for swivel deck hinge
F12-0106	1" eye end for swivel deck hinge
F17-0107	1 1/4" eye end with double set screws for swivel deck hinge



F11-0237



F11-0106



F12-0106



F17-0107

Side Mount Deck Hinges

Part Number	Type
F13-0250	2-hole side mount
F13-0255	4-hole side mount



F13-0250



F13-0255

Deck Strap (Pad Eye)

Part Number	Type
F16-1200	3/16" opening



F16-1200



STAINLESS STEEL TOP FITTINGS

Tubing / Canvas Hardware

All Stainless Steel Release Pins are made of high quality stainless steel.

Quick Release Pins and Lanyards

Part Number	Type
F13-0102	6" wire lanyard
F13-0105	1" x 1/4" pin with 6" lanyard
F13-0106	3/4" x 1/4" pin with 6" lanyard
F13-0107	1" x 1/4" pin with 6" lanyard and tab
F13-0108	Cam release pin with 6" lanyard and tab
F13-0101	1" x 1/4" pin only
F13-0210-RP	Release pin for deck hinge F13-0210
F13-2801	Snapper release pin for square tubing



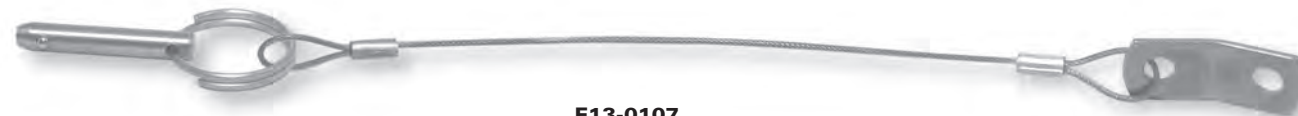
F13-0102



F13-0105



F13-0106



F13-0107



F13-0108



F13-0101



F13-0210-RP



F13-2801

ZAMAK TOP FITTINGS

Tubing / Canvas Hardware

Zamak is a zinc alloy consisting primarily of aluminum, magnesium and copper. Chrome or nickel plated for a hard, durable finish.

Chrome Heavy Duty Outside Eye End

Part Number	Tube Size
F80-0104	.875" O.D.



F80-0104

Chrome Heavy Duty Jaw Slide

Part Number	Tube Size
F80-0164	.875" O.D.



F80-0164

Chrome Two Hole Side Mount

Part Number	Type
F80-0250	Two hole side mount



F80-0250

Chrome Deck Hinges for #10 Fasteners

Part Number	Type
F80-0200	Straight deck hinge with bolt
F80-0230	Angled deck hinge with bolt



F80-0200



F80-0230

Nickle Plated Deck Strap (Pad Eye)

Part Number	Type
F80-1200	3/16" opening



F80-1200

Replacement Screws and Bolts

Part Number	Description
F92-3000	Allen Head Set Screws for F80-0104, F80-0164
F92-0160SB	Bolt for F80-0200, F80-0230

ALUMINUM SQUARE FITTINGS

Tubing / Canvas Hardware

Square fittings are anodized satin finish and work with our square tubing.

Aluminum Square Jaw Slide and Deck Hinge

Part Number	Tube Size
F19-0162	1 1/4" O.D.
F19-0165	1 1/4" O.D.



F19-0162



F19-0165

NYLON FITTINGS

Tubing / Canvas Hardware

All Nylon Fittings are made of non-breakable, black nylon resistant to sun and sea damage in matte finish.

Jaw Slides

Part Number	Tube Size
*F40-0804BN	3/4" O.D.
F40-0878BN	7/8" O.D.
*Special order	



F40-0804BN



F40-0878BN

Outside Eye Ends

Part Number	Tube Size
F40-0718BN	7/8" O.D.



F40-0718BN

Inside Eye Ends

Part Number	Tube Size
F40-0265BN	3/4" O.D.
F40-0278BN	7/8" O.D.



F40-0265BN



F40-0278BN

Side Mounts

All Side Mounts fit A52-0037 Aluminum Slide Track.

Part Number	Type
F40-0100BN	2-hole side mount
F40-0101BN	Side mount/slide with regular 1/4" thumb screw
*F40-0105BN	Side mount/slide with 1/4" head screw
*Special order	



F40-0100BN



F40-0101BN



F40-0105BN

NYLON FITTINGS

Tubing / Canvas Hardware

All Nylon Fittings are made of non-breakable, black nylon resistant to sun and sea damage in matte finish.

Deck Hinges

Large slide locks fit A52-0037 aluminum slide track with fillister head lock screw.

Part Number	Type
F40-0401BN	Small
F40-0504BN	Large
F40-0505BN	Angled
F40-0604BNL	Left large slide lock
F40-0604BNR	Right large slide lock



F40-0401BN



F40-0504BN



F40-0604BNR

Channel End Caps

Part Number
F90-0404BN
F90-0429BN



F90-0404BN



F90-0429BN

Lash Hook

Part Number
*F40-0900BN
*Special order



F40-0900BN

Slide Lock with Fillister Head Screw

Part Number
F40-0600BN



F40-0600BN

Nylon Head Screw

1/4" #20 screw fitting all Side Mounts and Deck Hinges.

Part Number
F40-0424BN
F40-0425BN



F40-0424BN



F40-0425BN

Two Hole Eye Strap

Part Number
F40-0704BN



F40-0704BN

Replacement Screws and Bolts

Part Number	Description
F92-F401	Allen Head Set Screws for F40-0878, F40-0804, F40-0718
F92-F402	Bolt for F40-0401, F40-0504, F40-0505, F40-0604
F92-F404	Bolt for F40-0100BN

MOORING POLES

Tubing / Canvas Hardware

Canvas Support Poles feature a space-saving, 3-in-1 design. The 7/8" and 3/4" diameter bright anodized aluminum tubing telescopes to 55" for the smaller size and 70" for the larger size, and features a .058 wall for extra strength. The collar is available in white nylon or aluminum with a special wing-tip screw for easy tightening.

Complete Pole w/ Zamak Collar

Small: M80-0010

Large: M80-0020

Complete Pole w/ Nylon Collar

Small: M40-0010

Large: M40-0020



Efficient 3-in-1 Design

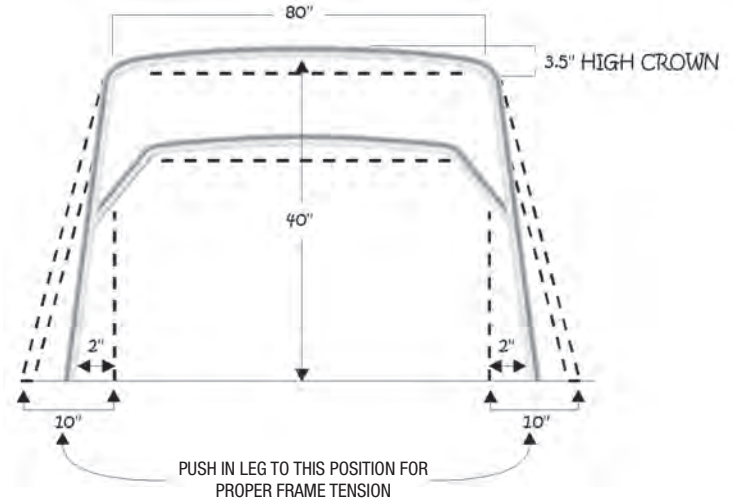
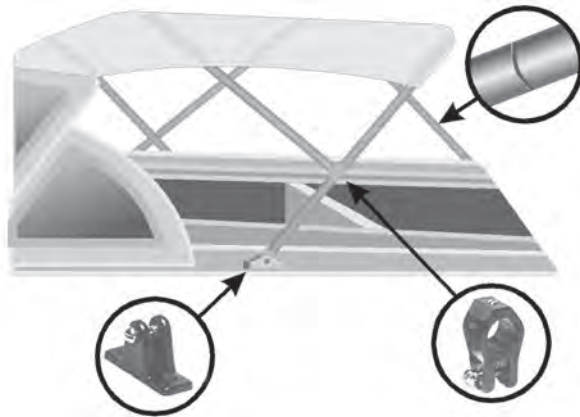
CANVAS TOP FRAMES

Tubing / Canvas Hardware

Canvas Top Frames are convenient options for boats 40" to 80" in beam. Each frame is made of 7/8" bright-anodized aluminum tubing, eliminating the possibility of oxidation and retaining a clear, sparkling finish for years to come.

BTK-1: Black Nylon Fittings (one frame per carton)

One frame; two 7/8" Black Jaw Slides; two Large Black Deck Hinges; two Black Deck Straps; four 7/8" Black Inside Eye Ends; four 1" Nic/Brass Slides; two 1" Nic/Brass Snaps.



BTK-2: Black Nylon Fittings (two frames per carton)

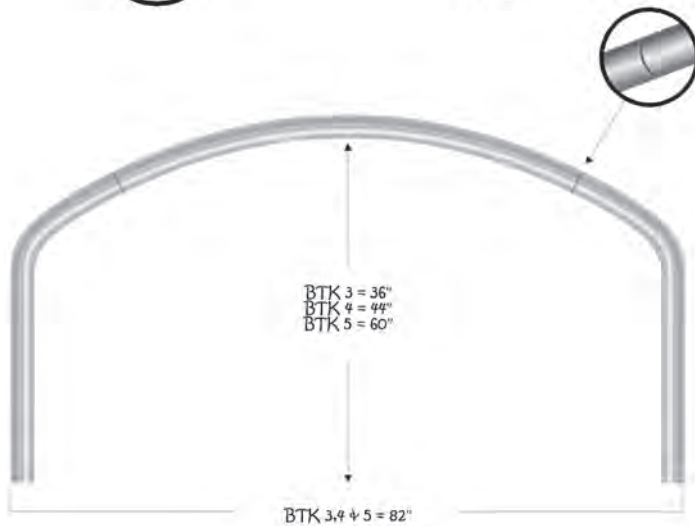
Two frames; two 7/8" Black Jaw Slides; four Large Black Deck Hinges; four Black Deck Straps; eight 7/8" Black Inside Eye Ends; eight 1" Nic/Brass Slides; four 1" Nic/Brass Snaps.

BTK-6: Bimini Boat Top Frame

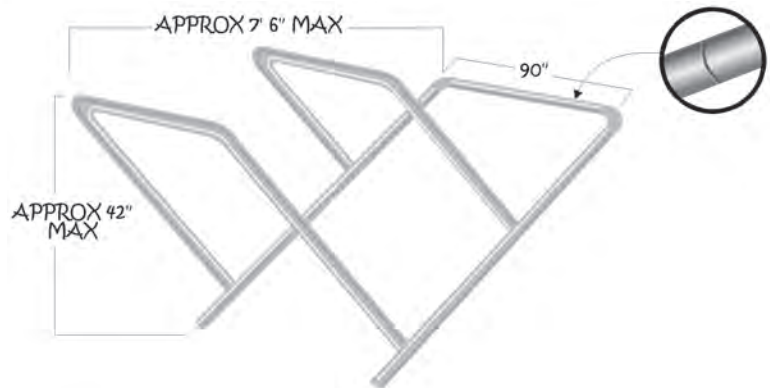
(The boat top design allows for the center bow to be cut to fit the boat width. The insert joining the legs and the bows are permanently bent into the legs allowing for easy connection of the three pieces). Four Black Jaw Slides; two Black Angle Deck Hinges; four Black Straps; six Black Eye Ends; six Buckles; four Snaps.

BTK-7: Bimini Boat Top Frame

Two 316L Stainless Steel Jaw Slides; two Stainless Steel Eye Ends; two Stainless Steel Straight Deck Hinges; two Stainless Steel Pad Eyes; two 70" Crowns; two 51" Short Legs; two 71" Long Legs.



BTK-3,4,5: No Fittings. Frame Only.
82" wide 3-part frame with internal splices.

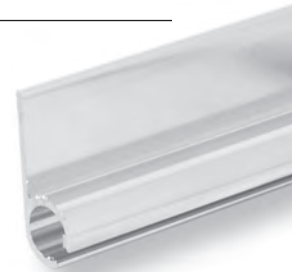


AWNING RAILS AND VINYL WELT

Tubing / Canvas Hardware

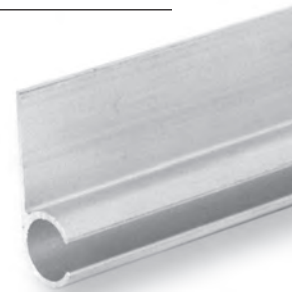
Aluminum Awning Rail 135 Degree

Part Number	Type
A52-0034	Bright anodized or mill finish 20' lengths



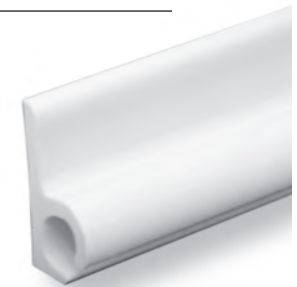
Aluminum Awning Rail 90 Degree

Part Number	Type
A52-1276	Mill finish 20' lengths



Rigid Vinyl Awning Rail

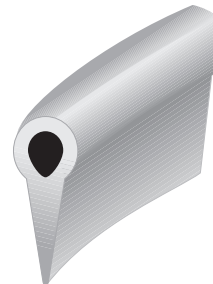
Part Number	Type
V25-9207	White or ivory



Vinyl Extruded Awning Welts

Awning Welts available in 250' rolls.

Part Number	Type
V15-0034BKA	Black
V15-0034WHA	White



Slide Track Channel

All Slide Tracks are bright anodized finish.

Part Number	Type
A52-0037	Stocked in 14' length

