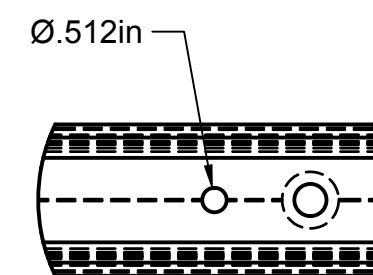
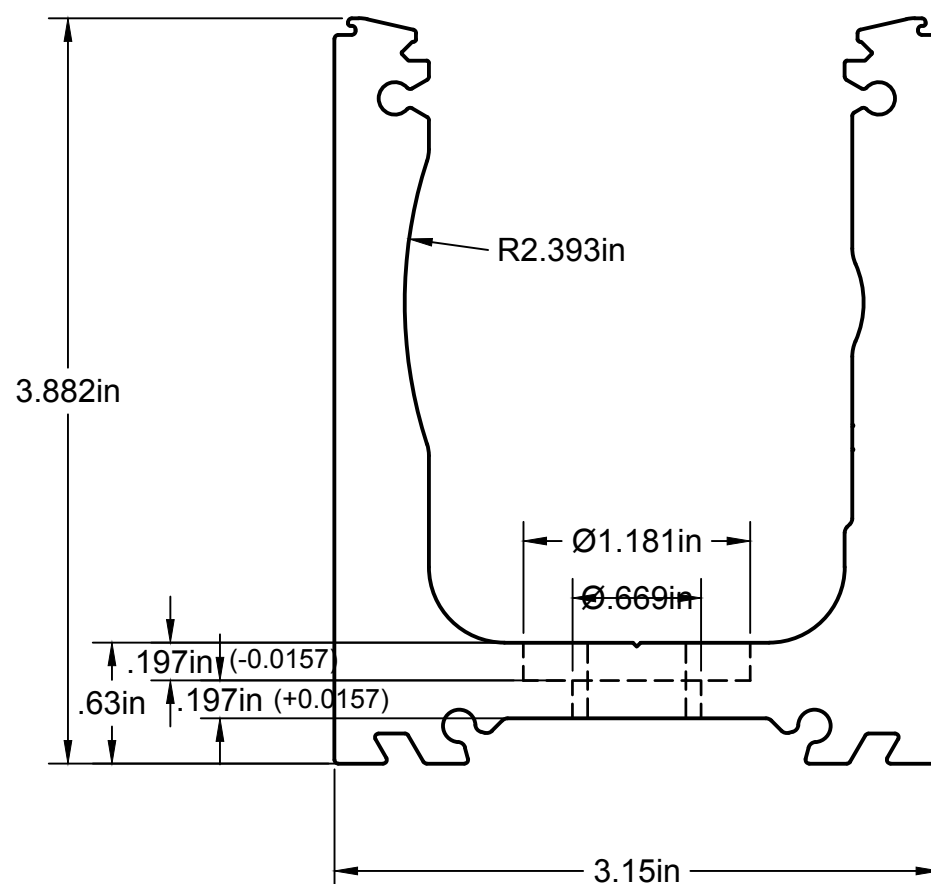




DETAIL A
SCALE 1:4



DETAIL B
SCALE 1:4



- (10) Ø 1.181" straight holes
- (10) Ø .669" straight holes
- (2) Ø .512" straight holes

Project:	Railing Products and Mock Ups
Title:	A42-PL80MF10CB
Description:	
Scale:	1:10
Date Drawn:	8/5/2019
 MORSE INDUSTRIES An  Company	