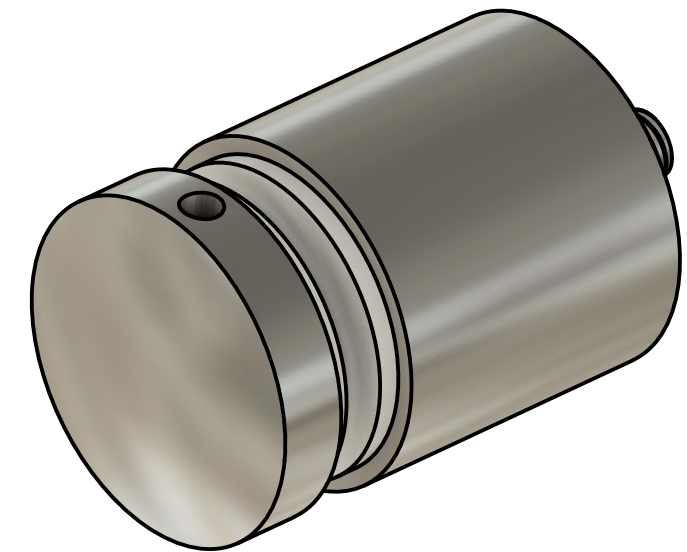
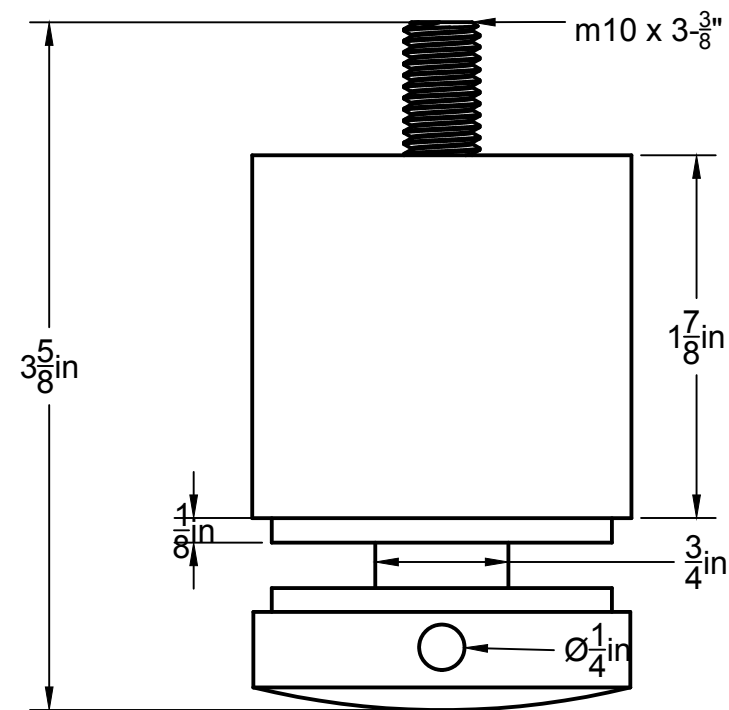
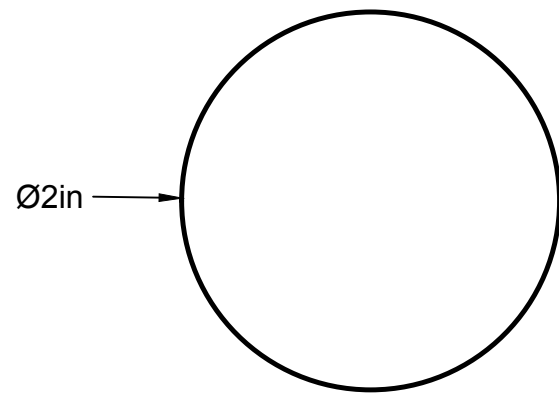



- Comes with m10 x 3-3/8" bolt. Intended to be mounted to tapped steel.
- If mounting to concrete, different bolt required or requires use of threaded anchor.



2" Standoff with m10 x 3-3/8" Bolt

Project:	Dimension Drawings
Title:	M13-0747-500-12
Description:	
	
Scale:	1:1
Date Drawn:	5/9/2019
