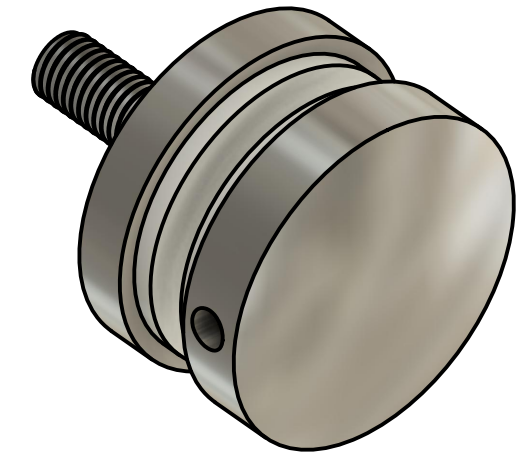
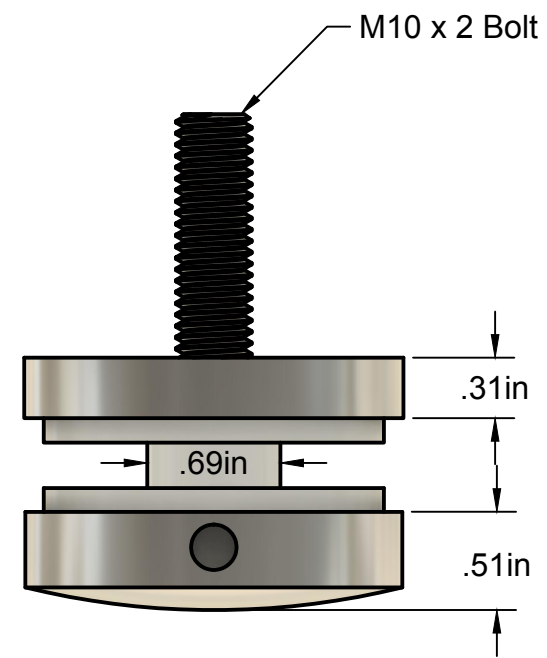
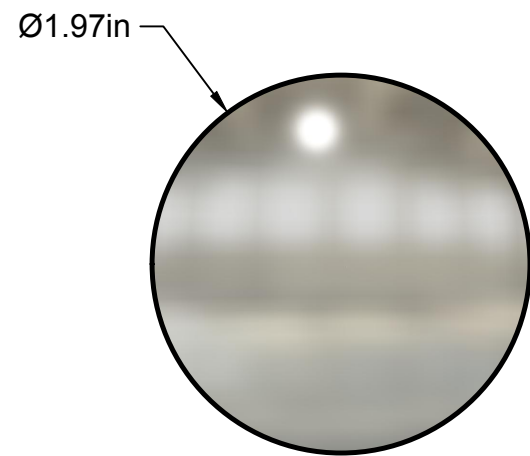



- For glass thickness $\frac{5}{16}$ " -11/16"
- Glass hole $\varnothing\frac{25}{32}$ "



Project:	Railing Products and Mock Ups
Title:	R13-0747-000-12
Description:	
	Scale: 1:1
	Date Drawn: 8/20/2019