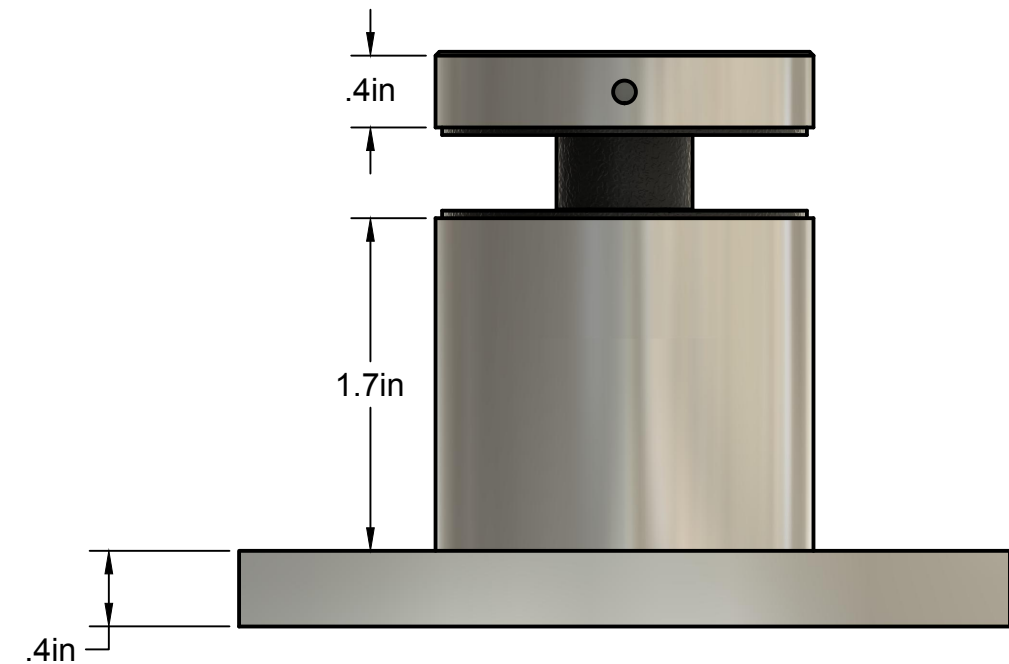


- tested for $\frac{11}{16}$ " and $\frac{13}{16}$ " laminated glass
- consult an engineer if using $\frac{9}{16}$ " laminated glass
- type 316 SS
- $\text{Ø}\frac{3}{4}$ " glass hole



Project:	Railing Products and Mock Ups
Title:	S21-2048VELB
Description:	
Scale:	1:1
Date Drawn:	8/20/2019
